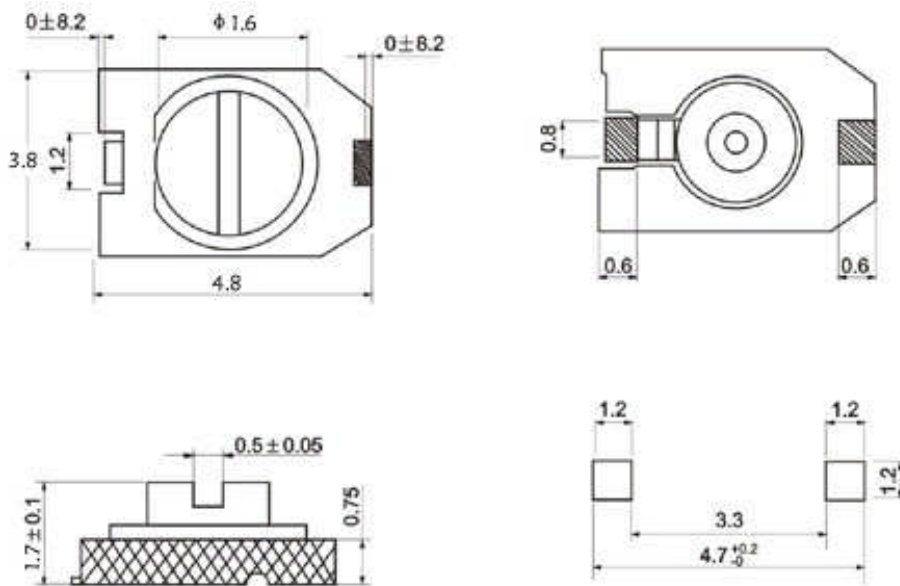


■ JML03 可调电容模样图 ↓



■ JML03 尺寸图 ↓



Unit :mm
Tolerance : ± 0.1

■ 技术参考数据 ↓

PART NO	MIN.CAP.(PF)	MAX.CAP.(PF)	TEMP.COEFF; PPM/C	Q FACTOR@1MHZ Cmax	COLOR
CTC 03 A 030	1.7 max	3.0 $\begin{smallmatrix} +50 \\ -0 \end{smallmatrix}$ %	NP 0 ± 300	>500	BROWN
CTC 03 A 060	2.5 max	6.0 $\begin{smallmatrix} +50 \\ -0 \end{smallmatrix}$ %	NP 0 ± 300	>500	BLUE
CTC 03 E 100	3.5 max	10.0 $\begin{smallmatrix} +50 \\ -0 \end{smallmatrix}$ %	N 750 ± 300	>500	WHITE
CTC 03 G 200	5.5 max	20.0 $\begin{smallmatrix} +50 \\ -0 \end{smallmatrix}$ %	N 1200 ± 500	>300	RED
CTC 03 G 300	7.5 max	30.0 $\begin{smallmatrix} +50 \\ -0 \end{smallmatrix}$ %	N 1800 ± 600	>300	GREEN

- Operating temperature range: $-25^{\circ}\text{C} \sim +85^{\circ}\text{C}$
- Rated working voltage: 100V DC
- Dielectric withstanding voltage: 220V DC
- Insulation Resistance: $10^4 \text{M}\Omega$ min
- Rotalon torque: 15~100g.cm