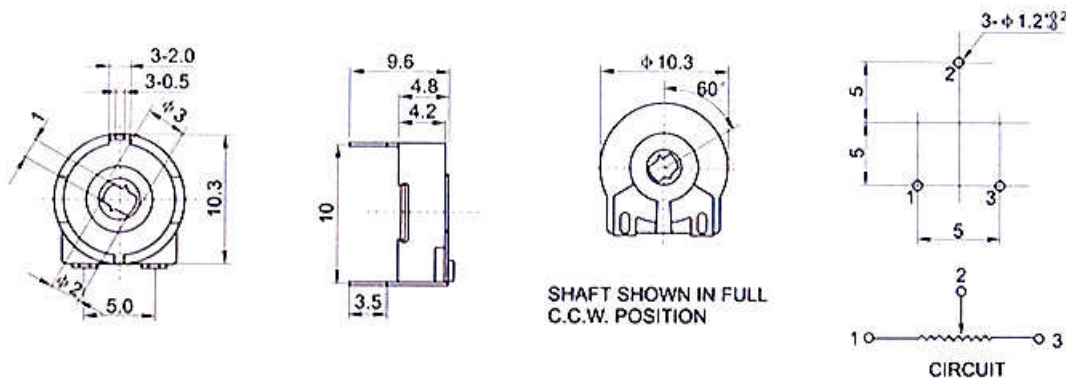


■ RM100-V1 西班牙电位器模样图 ↓



■ RM100-V1 尺寸图 ↓



■ 技术参考数据 ↓

A1	B1	C1	D1	E1
<b>MECHANICAL CHARACTERISTIC 机械特性</b>				
Total Rotational Angle 旋轉角度		260° ± 10°		
Rotational Torque 旋轉力矩		40~250gf.cm		
Stopper Strength 止擋強度		> 1kgf.cm		
<b>ELECTRICAL CHARACTERISTIC 電氣特性</b>				
Total Resistance Range 總阻值		100Ω~4.7MΩ		
Total Resistance Tolerance 電阻誤差		500Ω < R < 1MΩ: ±20%, other: ±30%		
Resistance Taper 電阻特性曲綫		Linear(B)		
Power Rating (70C) 額定功率		< 0.25W		
Max. Operating Voltage 最大工作電壓		250V AC		
Residual Resistance 殘留電阻		R < 10KΩ: 10Ω max. R > 10KΩ: 3% min		
<b>ENDURANCE 耐久性能</b>				
Rotation Life 旋轉壽命		100cycles ΔR < 10%R		
Temperature Characteristic 耐溫特性		20°C ~ 70°C ΔR < ±8%R		
Moisture Characteristic 耐濕特性		40°C 95% 5 hours Δ(R/R) R < ±15%		
Load Characteristic 負載特性		40°C 90% 5 hours Δ(R/R) R < ±15%		
Soldering Heat Characteristic 焊錫特性		Soldering should be carried out within 3 seconds at a temperature of 270°C max		