

## Features

- Multiturn / Cermet / Industrial / Sealed
- Standoffs allow thorough PC board washing
- Tape and reel packaging available
- Patent #4427966 drive mechanism
- RoHS compliant\* version available

# 3266 - 1/4 " Square Trimming Potentiometer

### Electrical Characteristics

Standard Resistance Range .....10 to 1 megohm  
 (see standard resistance table)  
 Resistance Tolerance .....±10 % std.  
 Absolute Minimum Resistance .....1 % or 2 ohms max.  
 (whichever is greater)  
 Contact Resistance Variation .....3.0 % or 3 ohms max.  
 (whichever is greater)  
 Adjustability  
 Voltage.....±0.02 %  
 Resistance.....±0.05 %  
 Resolution.....Infinite  
 Insulation Resistance .....500 vdc.  
 1,000 megohms min.  
 Dielectric Strength  
 Sea Level.....600 vac  
 80,000 Feet.....250 vac  
 Effective Travel.....12 turns nom.

### Environmental Characteristics

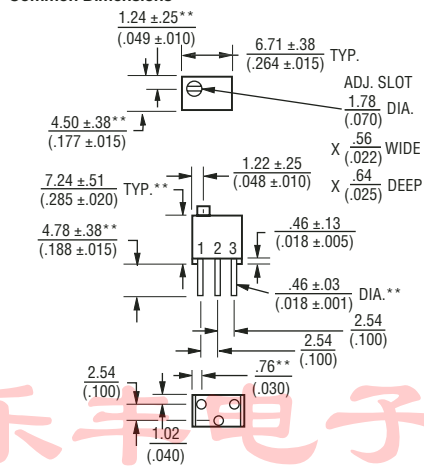
Power Rating (300 volts max.)  
 70 °C .....0.25 watt  
 150 °C .....0 watt  
 Temperature Range.....-55 °C to +150 °C  
 Temperature Coefficient.....±100 ppm/°C  
 Seal Test.....85 °C Fluorinert<sup>†</sup>  
 Humidity.....MIL-STD-202 Method 103  
 96 hours (2 % ΔTR, 10 Megohms IR)  
 Vibration.....30 G (1 % ΔTR; 1 % ΔVR)  
 Shock.....100 G (1 % ΔTR; 1 % ΔVR)  
 Load Life ...1,000 hours 0.25 watt 70 °C  
 (3 % ΔTR; 3 % CRV)  
 Rotational Life .....200 cycles  
 (4 % ΔTR; 3 % or 3 ohms,  
 whichever is greater, CRV)

### Physical Characteristics

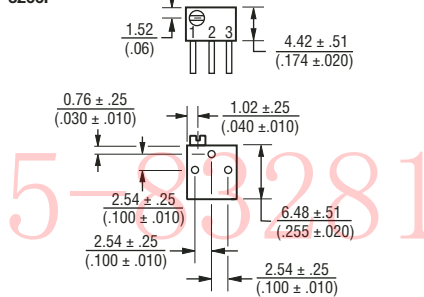
Torque .....3.0 oz-in. max.  
 Mechanical Stops.....Wiper idles  
 Terminals.....Solderable pins  
 Weight .....0.015 oz.  
 Marking .....Manufacturer's  
 trademark, resistance code,  
 wiring diagram, date code,  
 manufacturer's model  
 number and style  
 Wiper.....50 % (Actual TR) ±10 %  
 Flammability.....U.L. 94V-0  
 Standard Packaging .....50 pcs. per tube  
 Adjustment Tool .....H-90

### 3266W

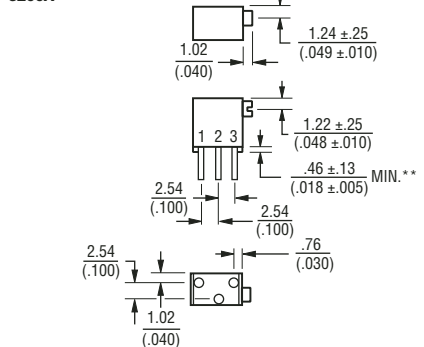
#### Common Dimensions



### 3266P

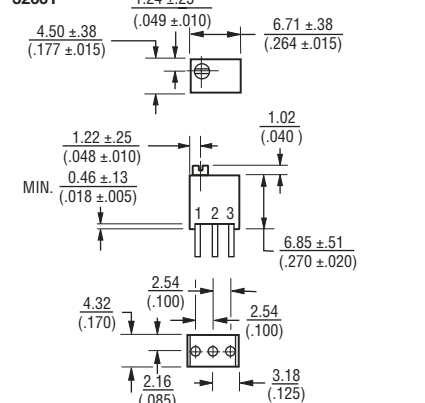


### 3266X

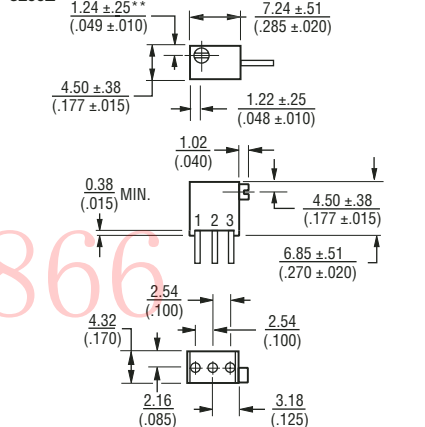


\*\*COMMON DIMENSIONS

### 3266Y



### 3266Z



TOLERANCES: ± 0.25 (.010) EXCEPT WHERE NOTED

DIMENSIONS ARE:  $\frac{\text{MM}}{\text{(INCHES)}}$

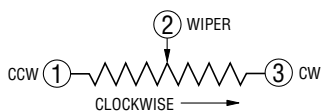
### How to Order

**3266 W - 1 - 103 LF**

Model \_\_\_\_\_  
 Style \_\_\_\_\_  
 Standard or Modified Product Indicator  
 -1 = Standard Product  
 Resistance Code \_\_\_\_\_  
 Packaging Designator \_\_\_\_\_  
 Blank = Tube (Standard)  
 R = Tape and Reel (Z and Y Pin Styles Only)  
 A = Ammo Pack (Z and Y Pin Styles Only)  
 Terminations \_\_\_\_\_  
 LF = 100 % Tin-plated (RoHS compliant)  
 Blank = 90 % Tin / 10 % Lead-plated (Standard)

Consult factory for other available options.

\*RoHS Directive 2002/95/EC Jan 27 2003 including Annex.  
 †"Fluorinert" is a registered trademark of 3M Co.  
 Specifications are subject to change without notice.  
 Customers should verify actual device performance in their specific applications.



# 3266 - 1/4 " Square Trimming Potentiometer

**BOURNS®**

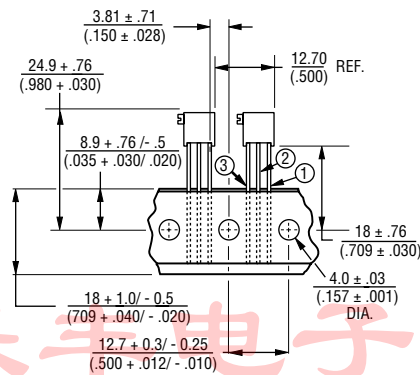
**Standard Resistance Table**

Resistance (Ohms)	Resistance Code
10	100
20	200
50	500
100	101
200	201
500	501
<b>1,000</b>	<b>102</b>
<b>2,000</b>	<b>202</b>
<b>5,000</b>	<b>502</b>
<b>10,000</b>	<b>103</b>
<b>20,000</b>	<b>203</b>
25,000	253
50,000	503
100,000	104
200,000	204
250,000	254
500,000	504
1,000,000	105

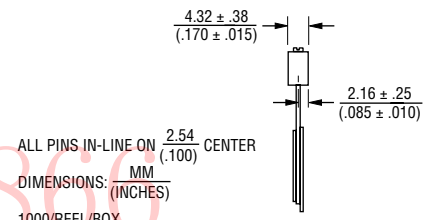
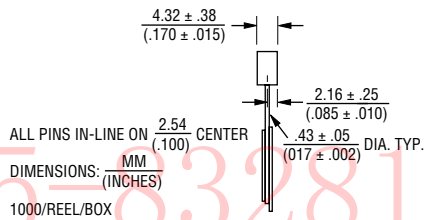
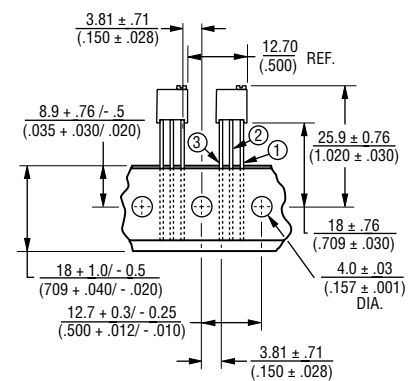
Popular distribution resistance values listed in boldface. Special resistances available.

**Packaging Specifications**

**SIDE ADJUST  
3266Z-1**



**TOP ADJUST  
3266Y-1**



Meets EIA Specification 468.